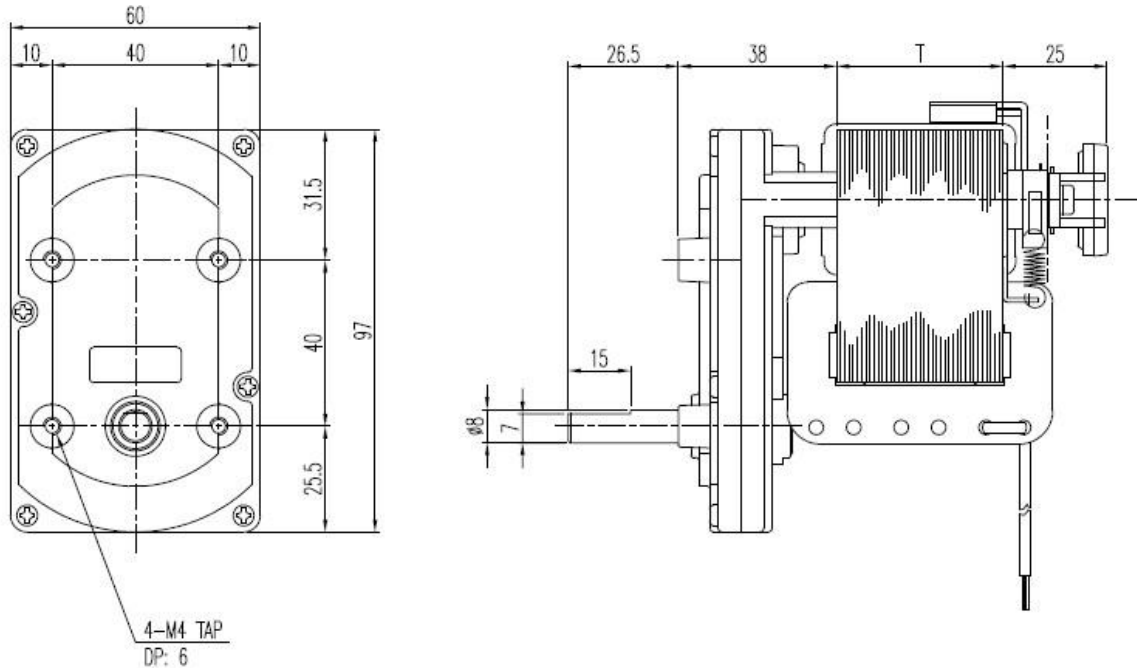




SIZE	MODEL	TYPE
Shaded Pole Brake Geared Motor (스테이터 61mm*20~50mm)	KMF-KA6120B □ KMF-KA6130B □ KMF-KA6140B □ KMF-KA6150B □ (□=전압)	KMF-KA61 시리즈 브레이크 기어드 모터

DOWNLOAD	
DIMENSION	CAD
CATALOGUE	

DIMENSIONS



장시간용 모터 DATA

Model	KMF-KA6120BE		KMF-KA6130BE		KMF-KA6140BE		KMF-KA6150BE	
VOLTAGE (V)	220AC		220AC		220AC		220AC	
FREQ. (Hz)	50	60	50	60	50	60	50	60
STATOR LENGTH (L mm)	20	20	30	30	40	40	50	50
NO LOAD SPEED (rpm)	2850	3450	2850	3450	2850	3450	2850	3450
NO LOAD CURRENT (A)	0.14	0.11	0.18	0.15	0.19	0.16	0.23	0.20
START TORQ. (gf.cm)	55	35	90	60	110	80	150	120
STALL TORQ. (gf.cm)	95	65	153	120	187	145	255	200
RATED TORQ. (gf.cm)	77	60	150	110	182	137	235	174
RATED SPEED (rpm)	2400	2900	2400	2900	2400	2900	2400	2900
RUNNING TIME	CONTINUITY							

Model	KMF-KA6120BU		KMF-KA6130BU		KMF-KA6140BU		KMF-KA6150BU	
VOLTAGE (V)	110AC		110AC		110AC		110AC	
FREQ. (Hz)	50	60	50	60	50	60	50	60
STATOR LENGTH (L mm)	20	20	30	30	40	40	50	50
NO LOAD SPEED (rpm)	2850	3450	2850	3450	2850	3450	2850	3450
NO LOAD CURRENT (A)	0.28	0.22	0.35	0.30	0.37	0.32	0.45	0.40
START TORQ. (gf.cm)	55	35	90	60	110	80	150	120
STALL TORQ. (gf.cm)	95	65	153	120	187	145	255	200
RATED TORQ. (gf.cm)	77	60	150	110	182	137	235	174
RATED SPEED (rpm)	2400	2900	2400	2900	2400	2900	2400	2900
RUNNING TIME	CONTINUITY							

단시간용 모터 DATA

Model	KMF-KA6120BE		KMF-KA6130BE		KMF-KA6140BE		KMF-KA6150BE	
VOLTAGE (V)	220AC		220AC		220AC		220AC	
FREQ. (Hz)	50	60	50	60	50	60	50	60
STATOR LENGTH (L mm)	20	20	30	30	40	40	50	50
NO LOAD SPEED (rpm)	2850	3450	2850	3450	2850	3450	2850	3450
NO LOAD CURRENT (A)	0.7	0.5	1.1	0.7	1.2	0.9	1.5	1.20
START TORQ. (gf.cm)	90	70	170	145	240	195	300	255
STALL TORQ. (gf.cm)	130	115	320	300	400	350	520	480
RATED TORQ. (gf.cm)	101	97	186	137	260	229	345	305
RATED SPEED (rpm)	2400	2900	2400	2900	2400	2900	2400	2900
RUNNING TIME	5 MIN.							

Model	KMF-KA6120BU		KMF-KA6130BU		KMF-KA6140BU		KMF-KA6150BU	
VOLTAGE (V)	110AC		110AC		110AC		110AC	
FREQ. (Hz)	50	60	50	60	50	60	50	60
STATOR LENGTH (L mm)	20	20	30	30	40	40	50	50
NO LOAD SPEED (rpm)	2850	3450	2850	3450	2850	3450	2850	3450
NO LOAD CURRENT (A)	1.4	1	2.1	1.50	2.3	1.8	3	2.40
START TORQ. (gf.cm)	90	70	170	145	240	195	300	255
STALL TORQ. (gf.cm)	130	115	320	300	400	350	520	480
RATED TORQ. (gf.cm)	101	97	186	137	260	229	345	305
RATED SPEED (rpm)	2400	2900	2400	2900	2400	2900	2400	2900
RUNNING TIME	5 MIN.							

장시간용 기어비율별 정격부하시 사양

220V Model	KMF-KA6120BE				KMF-KA6130BE				KMF-KA6140BE				KMF-KA6150BE			
FREQ. (Hz)	50		60		50		60		50		60		50		60	
GEAR RATIO	rpm	kgf.cm	rpm	kgf.cm	rpm	kgf.cm	rpm	kgf.cm	rpm	kgf.cm	rpm	kgf.cm	rpm	kgf.cm	rpm	kgf.cm
1/150	17	8.4	20	6.6	17	16.4	20	12	17	20	20	15	17	25.7	20	19
1/330	7.9	14.5	9.1	11.3	7.9	28.3	9.1	20.8	7.9	30	9.1	25.9	7.9	30	9.1	30
1/500	5.2	22.3	6.1	17.3	5.2	30	6.1	30	5.2	30	6.1	30	5.2	30	6.1	30
1/550	4.7	25	5.5	19.5	4.7	30	5.5	30	4.7	30	5.5	30	4.7	30	5.5	30
1/760	3.4	30	3.9	27.3	3.4	30	3.9	30	3.4	30	3.9	30	3.4	30	3.9	30
1/850	3	30	3.5	30	3	30	3.5	30	3	30	3.5	30	3	30	3.5	30
1/940	2.8	30	3.2	30	2.8	30	3.2	30	2.8	30	3.2	30	2.8	30	3.2	30
1/1410	1.8	30	2.1	30	1.8	30	2.1	30	1.8	30	2.1	30	1.8	30	2.1	30
1/1740	1.5	30	1.7	30	1.5	30	1.7	30	1.5	30	1.7	30	1.5	30	1.7	30
1/2250	1.2	30	1.4	30	1.2	30	1.4	30	1.2	30	1.4	30	1.2	30	1.4	30
1/2360	1.1	30	1.3	30	1.1	30	1.3	30	1.1	30	1.3	30	1.1	30	1.3	30
1/2610	1	30	1.2	30	1	30	1.2	30	1	30	1.2	30	1	30	1.2	30
1/3140	0.8	30	1	30	0.8	30	1	30	0.8	30	1	30	0.8	30	1	30

※ 위의 DATA 는 GENERAL TYPE SHADED POLE MOTOR 를 적용한 경우 입니다.

※ 감속비전체 MOTOR 와 출력축의 회전방향이 반대입니다.