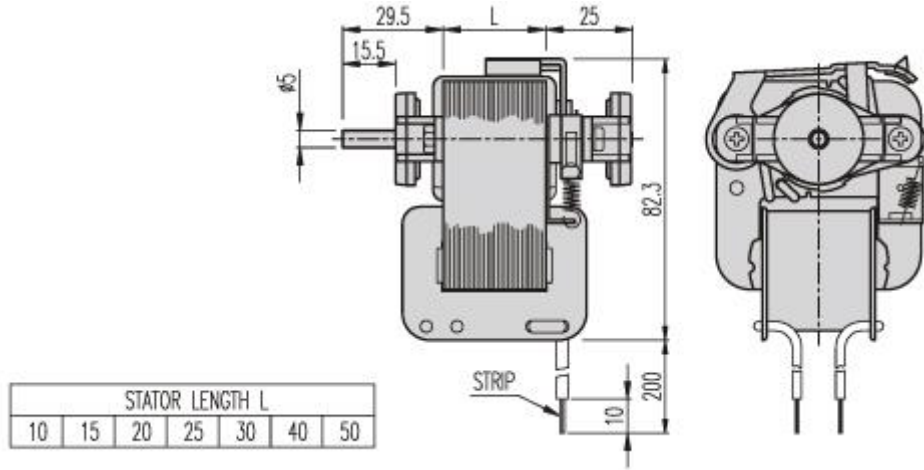




SIZE	MODEL	TYPE
Shaded Pole Induction Motor (스테이터 61mm*20~50mm)	KAE-61 □□-B KAJ-61 □□-B KAU-61 □□-B KAL-61 □□-B KAC-61 □□-B (□□=코일 스테이터 두께)	KAE-61-B 시리즈 동근축 2극 모터 BRAKE TYPE

DOWNLOAD	
DIMENSION	CAD 3D
CATALOGUE	

DIMENSIONS



장시간용 모터 DATA

Model	KAE-6120-B		KAE-6130-B		KAE-6140-B		KAE-6150-B	
	220AC		220AC		220AC		220AC	
VOLTAGE (V)	50	60	50	60	50	60	50	60
FREQ. (Hz)	20	20	30	30	40	40	50	50
STATOR LENGTH (L mm)	2850	3450	2850	3450	2850	3450	2850	3450
NO LOAD SPEED (rpm)	0.14	0.11	0.18	0.15	0.19	0.16	0.23	0.20
NO LOAD CURRENT (A)	55	35	90	60	110	80	150	120
START TORQ. (gf.cm)	95	65	153	120	187	145	255	200
STALL TORQ. (gf.cm)	77	60	150	110	182	137	235	174
RATED TORQ. (gf.cm)	2400	2900	2400	2900	2400	2900	2400	2900
RATED SPEED (rpm)	CONTINUITY							
RUNNING TIME	CONTINUITY							

Model	KAU-6120-B		KAU-6130-B		KAU-6140-B		KAU-6150-B	
	110AC		110AC		110AC		110AC	
VOLTAGE (V)	50	60	50	60	50	60	50	60
FREQ. (Hz)	20	20	30	30	40	40	50	50
STATOR LENGTH (L mm)	2850	3450	2850	3450	2850	3450	2850	3450
NO LOAD SPEED (rpm)	0.28	0.22	0.35	0.30	0.37	0.32	0.45	0.40
NO LOAD CURRENT (A)	55	35	90	60	110	80	150	120
START TORQ. (gf.cm)	95	65	153	120	187	145	255	200
STALL TORQ. (gf.cm)	77	60	150	110	182	137	235	174
RATED TORQ. (gf.cm)	2400	2900	2400	2900	2400	2900	2400	2900
RATED SPEED (rpm)	CONTINUITY							
RUNNING TIME	CONTINUITY							

단시간용 모터 DATA

Model	KAE-6120-B		KAE-6130-B		KAE-6140-B		KAE-6150-B	
VOLTAGE (V)	220AC		220AC		220AC		220AC	
FREQ. (Hz)	50	60	50	60	50	60	50	60
STATOR LENGTH (L mm)	20	20	30	30	40	40	50	50
NO LOAD SPEED (rpm)	2850	3450	2850	3450	2850	3450	2850	3450
NO LOAD CURRENT (A)	0.7	0.5	1.1	0.7	1.2	0.9	1.5	1.20
START TORQ. (gf.cm)	90	70	170	145	240	195	300	255
STALL TORQ. (gf.cm)	130	115	320	300	400	350	520	480
RATED TORQ. (gf.cm)	101	97	186	137	260	229	345	305
RATED SPEED (rpm)	2400	2900	2400	2900	2400	2900	2400	2900
RUNNING TIME	5 MIN.							

Model	KAU-6120-B		KAU-6130-B		KAU-6140-B		KAU-6150-B	
VOLTAGE (V)	110AC		110AC		110AC		110AC	
FREQ. (Hz)	50	60	50	60	50	60	50	60
STATOR LENGTH (L mm)	20	20	30	30	40	40	50	50
NO LOAD SPEED (rpm)	2850	3450	2850	3450	2850	3450	2850	3450
NO LOAD CURRENT (A)	1.4	1	2.1	1.50	2.3	1.8	3	2.40
START TORQ. (gf.cm)	90	70	170	145	240	195	300	255
STALL TORQ. (gf.cm)	130	115	320	300	400	350	520	480
RATED TORQ. (gf.cm)	101	97	186	137	260	229	345	305
RATED SPEED (rpm)	2400	2900	2400	2900	2400	2900	2400	2900
RUNNING TIME	5 MIN.							