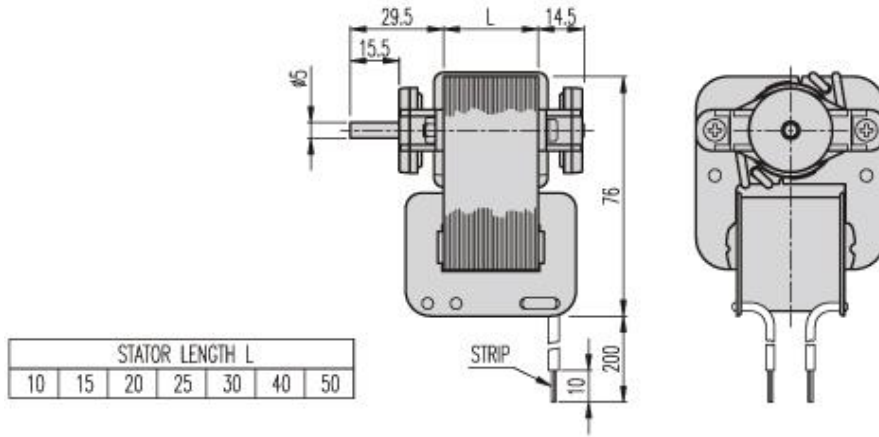




SIZE	MODEL	TYPE
Shaded Pole Induction Motor (스테이터 61mm*20~50mm)	KAE-61 □□ KAJ-61 □□ KAU-61 □□ KAL-61 □□ KAC-61 □□ (□□=코일 스테이터 두께)	KAE-61 씨리즈 동근축 2극 모터 GENERAL TYPE

DOWNLOAD		
DIMENSION	CAD	3D
CATALOGUE		

DIMENSIONS



장시간용 모터 DATA

Model	KAE-6120		KAE-6130		KAE-6140		KAE-6150	
VOLTAGE (V)	220AC		220AC		220AC		220AC	
FREQ. (Hz)	50	60	50	60	50	60	50	60
STATOR LENGTH (L mm)	20	20	30	30	40	40	50	50
NO LOAD SPEED (rpm)	2850	3450	2850	3450	2850	3450	2850	3450
NO LOAD CURRENT (A)	0.14	0.11	0.18	0.15	0.19	0.16	0.23	0.20
START TORQ. (gf.cm)	55	35	90	60	110	80	150	120
STALL TORQ. (gf.cm)	95	65	153	120	187	145	255	200
RATED TORQ. (gf.cm)	77	60	150	110	182	137	235	174
RATED SPEED (rpm)	2400	2900	2400	2900	2400	2900	2400	2900
RUNNING TIME	CONTINUITY							

Model	KAU-6120		KAU-6130		KAU-6140		KAU-6150	
VOLTAGE (V)	110AC		110AC		110AC		110AC	
FREQ. (Hz)	50	60	50	60	50	60	50	60
STATOR LENGTH (L mm)	20	20	30	30	40	40	50	50
NO LOAD SPEED (rpm)	2850	3450	2850	3450	2850	3450	2850	3450
NO LOAD CURRENT (A)	0.28	0.22	0.35	0.30	0.37	0.32	0.45	0.40
START TORQ. (gf.cm)	55	35	90	60	110	80	150	120
STALL TORQ. (gf.cm)	95	65	153	120	187	145	255	200
RATED TORQ. (gf.cm)	77	60	150	110	182	137	235	174
RATED SPEED (rpm)	2400	2900	2400	2900	2400	2900	2400	2900
RUNNING TIME	CONTINUITY							

단시간용 모터 DATA

Model	KAE-6120		KAE-6130		KAE-6140		KAE-6150	
VOLTAGE (V)	220AC		220AC		220AC		220AC	
FREQ. (Hz)	50	60	50	60	50	60	50	60
STATOR LENGTH (L mm)	20	20	30	30	40	40	50	50
NO LOAD SPEED (rpm)	2850	3450	2850	3450	2850	3450	2850	3450
NO LOAD CURRENT (A)	0.7	0.5	1.1	0.7	1.2	0.9	1.5	1.20
START TORQ. (gf.cm)	90	70	170	145	240	195	300	255
STALL TORQ. (gf.cm)	130	115	320	300	400	350	520	480
RATED TORQ. (gf.cm)	101	97	186	137	260	229	345	305
RATED SPEED (rpm)	2400	2900	2400	2900	2400	2900	2400	2900
RUNNING TIME	5 MIN.							

Model	KAU-6120		KAU-6130		KAU-6140		KAU-6150	
VOLTAGE (V)	110AC		110AC		110AC		110AC	
FREQ. (Hz)	50	60	50	60	50	60	50	60
STATOR LENGTH (L mm)	20	20	30	30	40	40	50	50
NO LOAD SPEED (rpm)	2850	3450	2850	3450	2850	3450	2850	3450
NO LOAD CURRENT (A)	1.4	1	2.1	1.50	2.3	1.8	3	2.40
START TORQ. (gf.cm)	90	70	170	145	240	195	300	255
STALL TORQ. (gf.cm)	130	115	320	300	400	350	520	480
RATED TORQ. (gf.cm)	101	97	186	137	260	229	345	305
RATED SPEED (rpm)	2400	2900	2400	2900	2400	2900	2400	2900
RUNNING TIME	5 MIN.							