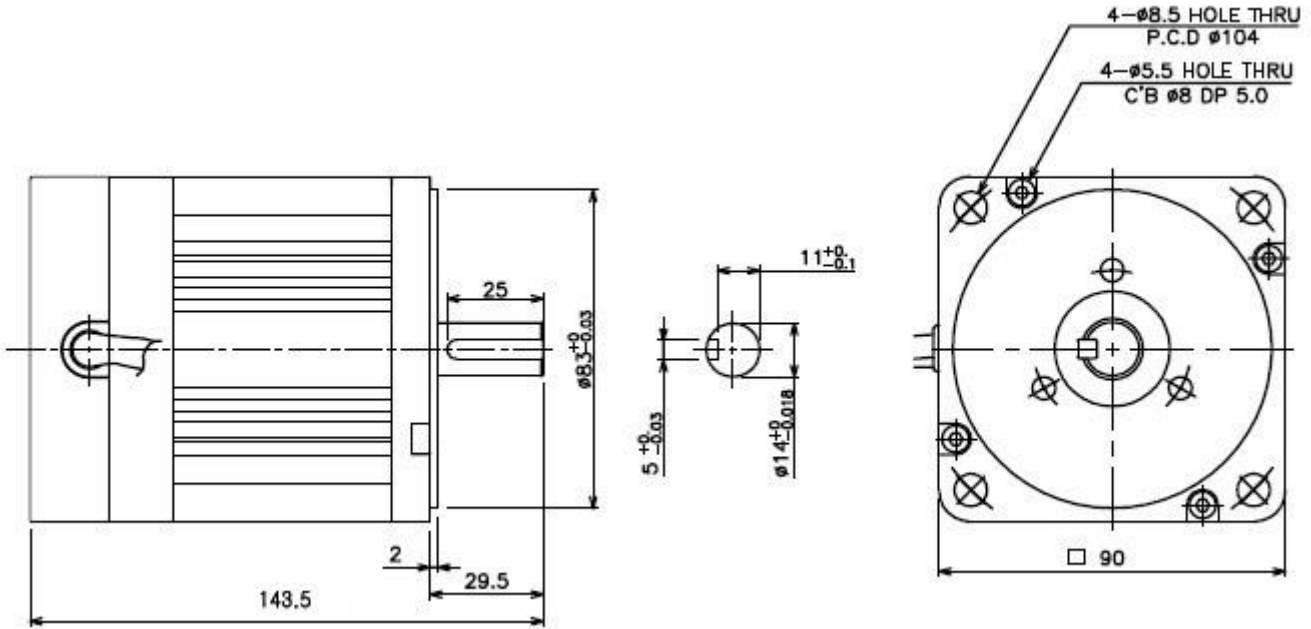




OUTPUT	MODEL	TYPE
300W BLDC12V 3000RPM (□ 90mm)	TM90-D0335-S-4P TM90-D0335-S-8P	TM90-D 씨리즈 (동근축 BLDC 모터)

DIMENSIONS



SPECIFICATIONS

▶ 300W

Model	output	Voltage (V)	RATED			Start T. (N·m/kgf·cm)	Pole (P)	WEIGHT (kg)
			Speed (rpm)	Torque (N·m/kgf·cm)	Current (A)			
TM90-D0335-S-4P	300	12	3000	0.99/9.74	30.6	1.32/13.15	4	2.3
TM90-D0335-S-8P	300	12	3000	0.99/9.74	30.6	1.32/13.15	8	2.3

※ SHAFT 형상 (-S: 동근축 14Ø 5mm KEY, -G: 기어축)



DOWNLOAD		
DIMENSION	CAD	3D
CATALOGUE	PDF	

MODEL	적용제품	특성
K9B-M6 (□90mm)	표준형 모터 □90mm GEARHEAD : K9G□C, K9P□B	중량 270g 재질 AL

DIMENSIONS

