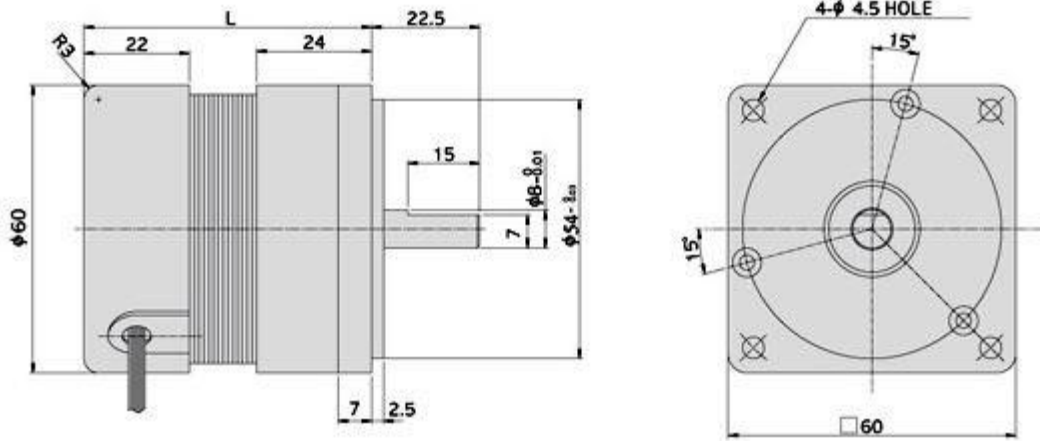




OUTPUT	MODEL	TYPE
40W BLDC24V 3000RPM ( $\square$ 60mm)	BD60-N024040	BD60 씨리즈 (동근축 BLDC 모터)

## DIMENSIONS

### Dimensions(UNIT:mm)



## SPECIFICATIONS

### ▶ $\square$ 60 BLDC

MODEL		BD60-								
		N012010	N012015	N012020	N024020	<b>N024040</b>	N024050	N220040	N220060	N220080
Rated Voltage	V	12			24			220		
Rated Output	W	10	15	20	20	<b>40</b>	50	40	60	80
Rated Current	A	1.4	2	2.8	1.4	<b>2.8</b>	3.5	0.7	0.9	1.2
Rated Speed	r/min	3000								
Rated Torque	kgf-cm	0.3	0.4	0.6	0.6	<b>1.3</b>	1.6	1.3	1.9	2.5
Weight	kg	0.5	0.6	0.7	0.5	<b>0.6</b>	0.7	0.5	0.6	0.7
Pole	P	4	4	4	4	<b>4</b>	4	4	4	4
Length	L (mm)	60	70	80	60	<b>70</b>	80	60	70	80

\* SHAFT 형상 ( D: 동근축 D-CUT, G: 일반 기어축)



DOWNLOAD		
<b>DIMENSION</b>	CAD	3D
<b>CATALOGUE</b>	PDF	

MODEL	적용제품	특성
K6B ( $\square 60\text{mm}$ )	표준형 모터 $\square 60\text{mm}$ GEARHEAD : K6G $\square$ C(B)	중량 45g 재질 AL

### DIMENSIONS

