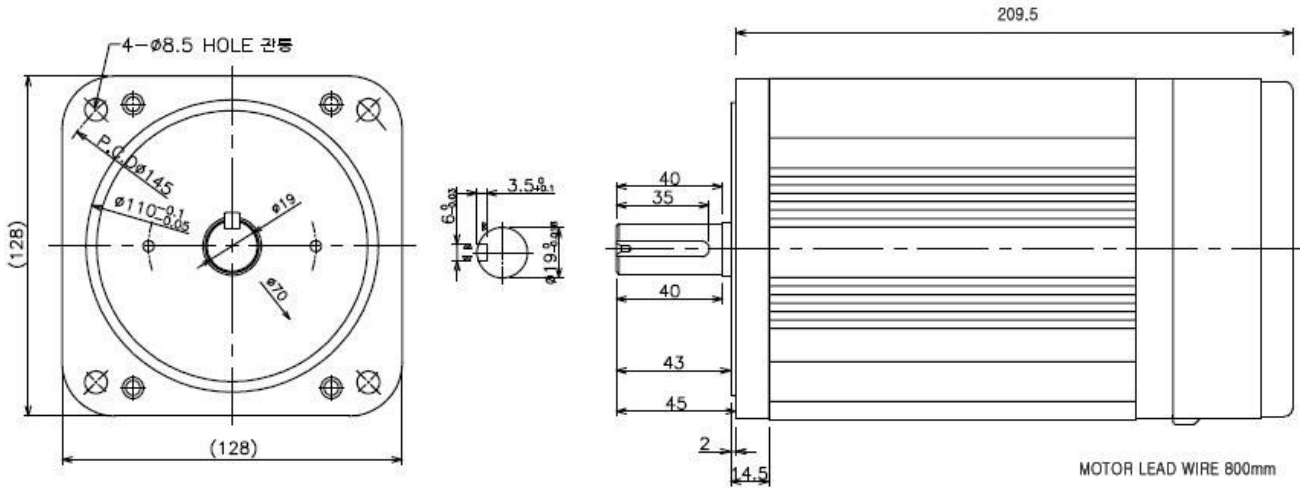




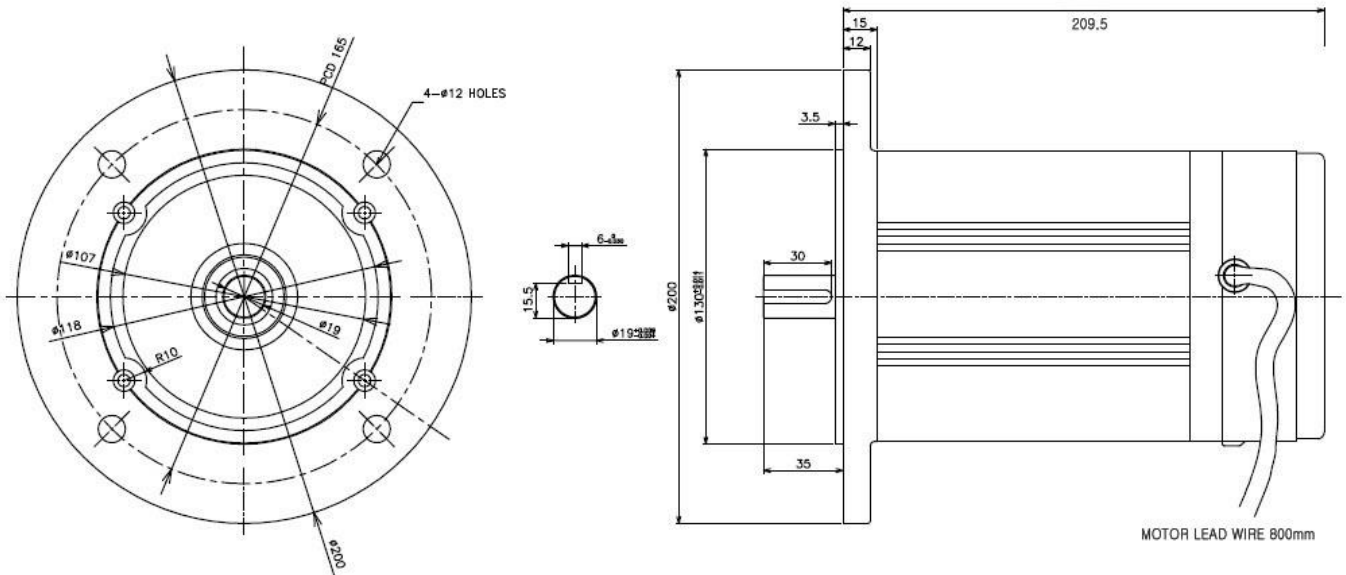
OUTPUT	MODEL	TYPE
2000W BLDC220V 5000RPM (□ 130mm, Ø200)	TM13-A2053-S-4P TM13-A2053-S-4P-WG	TM13 시리즈 (동근축 BLDC 모터)

DIMENSIONS

□ 130mm : TM13-A2053



Ø200 : TM13-A2053-W



SPECIFICATIONS

▶ 2000W

Model	output	Voltage (V)	RATED			Start T. (N·m/kgf·cm)	Pole (P)	WEIGHT (kg)
			Speed (rpm)	Torque (N·m/kgf·cm)	Current (A)			
TM13-A2053-S-4P	2000	220	5000	3.82/38.94	7.2	5.15/52.56	4	9.5
TM13-A2053-S-4P-WG	2000	220	5000	3.82/38.94	7.2	5.15/52.56	4	9.55

※ SHAFT 형상 (동근축 19Ø, 5mm KEY)