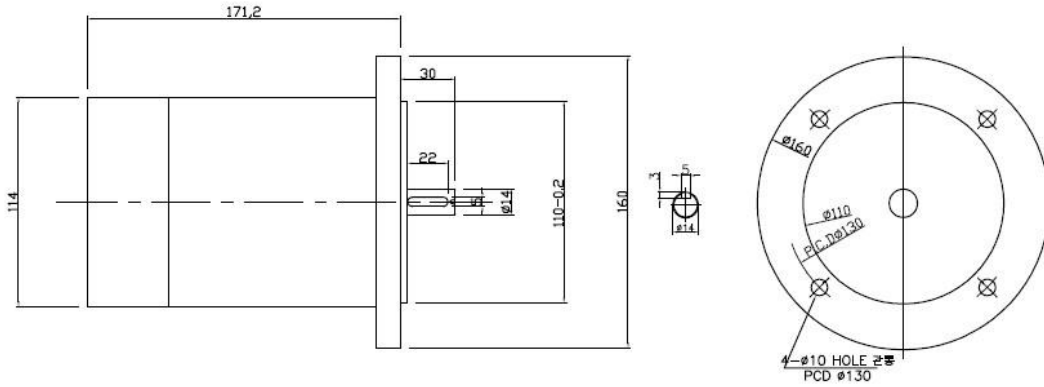




OUTPUT	MODEL	TYPE
750W DC12V 3000RPM (4 극 160 \emptyset , □ 100mm)	4H16D750B-24K14	4H16D 씨리즈 (동근축 DC 모터)

DIMENSIONS



SPECIFICATIONS

▶ 750W, 4 극 회토류자석형, 카본 4 개 분산형

Model	output (W)	Voltage (V)	RATED			Start T. (N·m/kgf·cm)	WEIGHT (kg)
			Speed (rpm)	Torque (N·m/kgf·cm)	Current (A)		
4H16D750B-24K14	750	24	3000	2.4/24	36	120/120	5