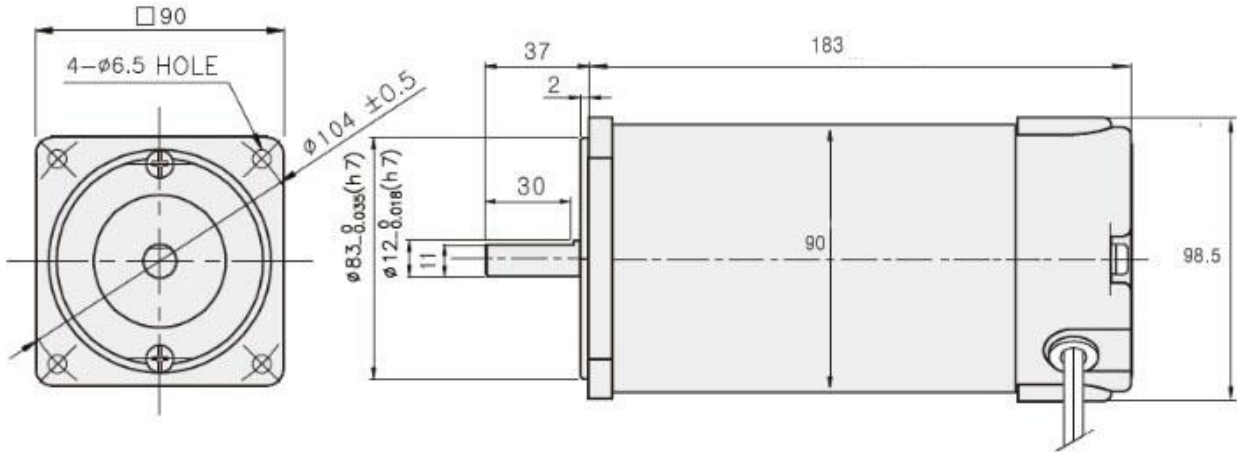




OUTPUT	MODEL	TYPE
350W DC180V 1800RPM (□ 90mm)	SY9S180350A	SY9S 씨리즈 (동근축 DC 모터)

DIMENSIONS



SPECIFICATIONS

▶ 350W

Model	output (W)	Voltage (V)	RATED			Start T. (N·m/kgf·cm)	WEIGHT (kg)
			Speed (rpm)	Torque (N·m/kgf·cm)	Current (A)		
SY9S180350A	350	180	1800	0.19/19	2.8	13.2/132	3.7

* SHAFT 형상 (D: 동근축 D-CUT, GC: 강력형 기어축)



DOWNLOAD		
DIMENSION	CAD	3D
CATALOGUE	PDF	

MODEL	적용제품	특성
K9B-M6 (□90mm)	표준형 모터 □90mm GEARHEAD : K9G□C, K9P□B	중량 270g 재질 AL

DIMENSIONS

