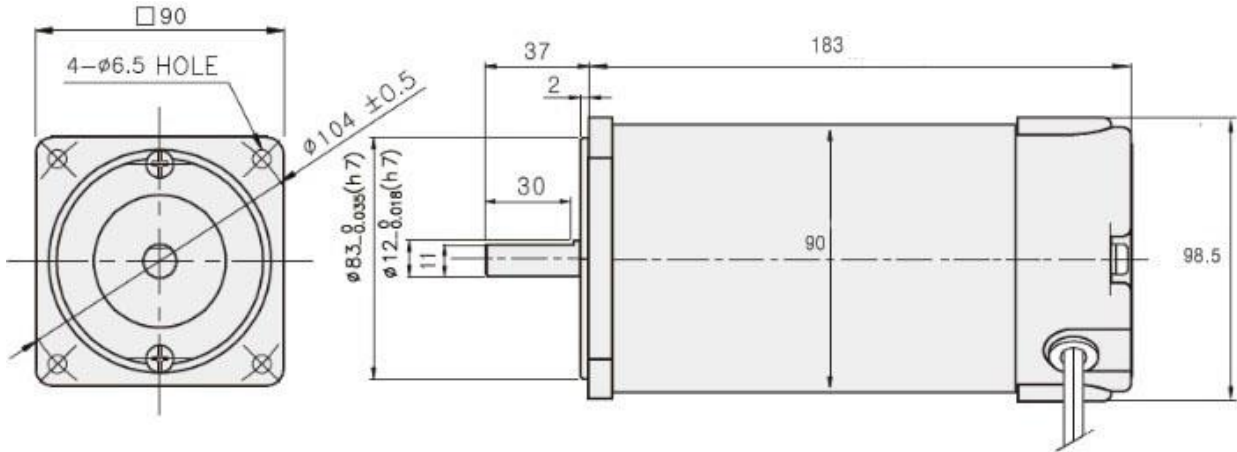




OUTPUT	MODEL	TYPE
300W DC12V,24V 3000RPM (□ 90mm)	SY9S12300B SY9S24300B	DD90 씨리즈 (동근축 DC 모터)

DIMENSIONS



SPECIFICATIONS

▶ 300W

Model	output (W)	Voltage (V)	RATED			Start T. (N·m/kgf·cm)	WEIGHT (kg)
			Speed (rpm)	Torque (N·m/kgf·cm)	Current (A)		
SY9S12300B	300	12	3000	0.97/9.7	35	3.2/32	3.7
SY9S24300B		24					

※ SHAFT 형상 (D: 동근축 D-CUT, GC: 강력형 기어축)



DOWNLOAD		
DIMENSION	CAD	3D
CATALOGUE	PDF	

MODEL	적용제품	특성
K9B-M6 (□90mm)	표준형 모터 □90mm GEARHEAD : K9G□C, K9P□B	중량 270g 재질 AL

DIMENSIONS

