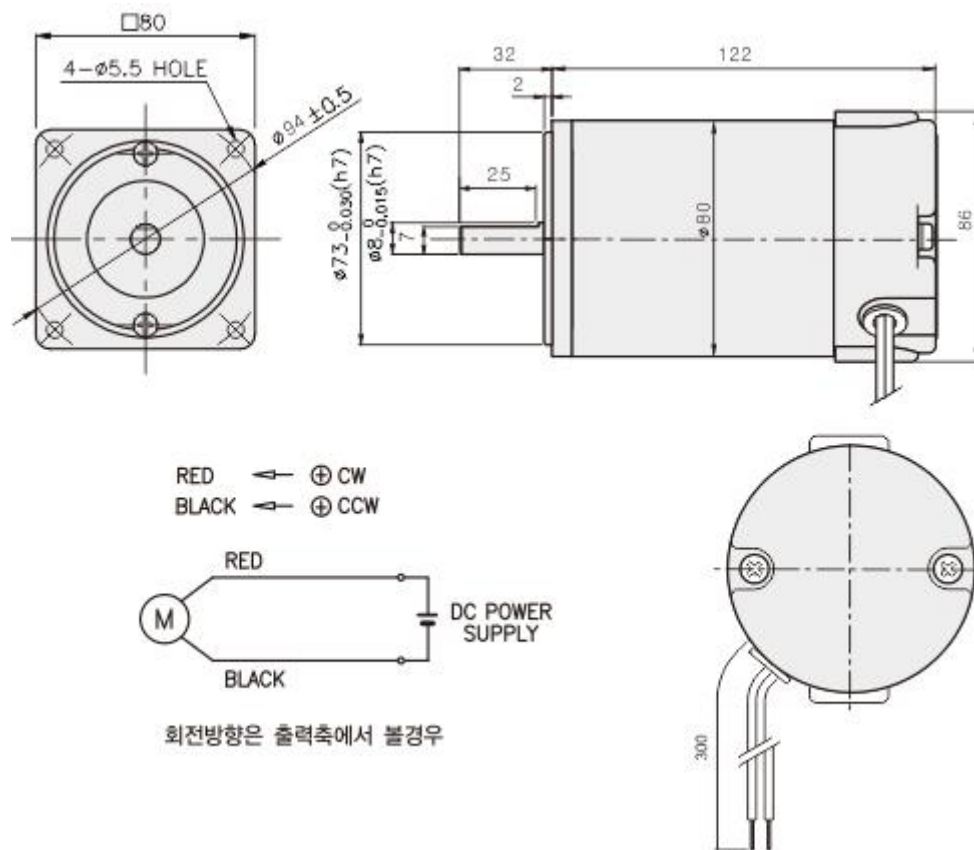




OUTPUT	MODEL	TYPE
40W DC90V 3000RPM (□ 80mm)	DD80-F090040B	DD80 시리즈 (동근축 DC 모터)

DOWNLOAD			
DIMENSION	준비중	준비중	3D
CATALOGUE	준비중		

DIMENSIONS



SPECIFICATIONS

▶ 40W

Model	output (W)	Voltage (V)	RATED			Start T. (N·m/kgf·cm)	WEIGHT (kg)
			Speed (rpm)	Torque (N·m/kgf·cm)	Current (A)		
DD80-F012040B	40	12	3000	0.13/1.3	4.7	1.43/14.3	1.76
DD80-F024040B		24			2.3	1.82/18.2	
DD80-F090040B		90			0.6	1.44/14.4	

※ SHAFT 형상 (S: 동근축 D-CUT, G: 기어축)



DOWNLOAD		
DIMENSION	CAD	3D
CATALOGUE	PDF	

MODEL	적용제품	특성
K8B (□80mm)	표준형 모터 □80mm GEARHEAD : K8G□C (B)	중량 120g 재질 AL

DIMENSIONS

