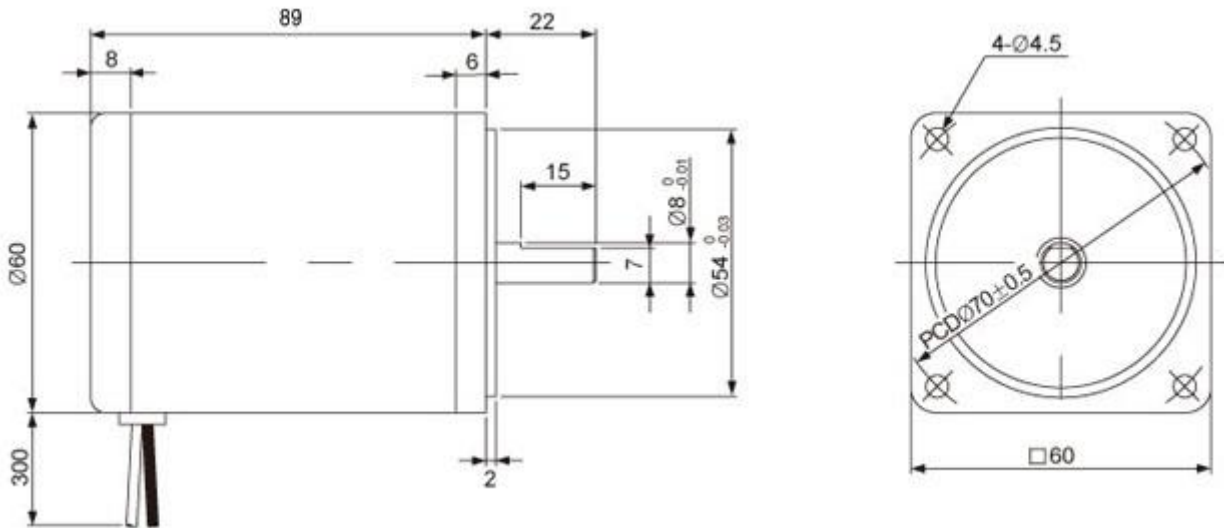




OUTPUT	MODEL	TYPE
20W DC90V 3000RPM (□ 60mm)	DD60-F090020B	DD60 씨리즈 (동근축 DC 모터)

DOWNLOAD		
DIMENSION	준비중	준비중
CATALOGUE	준비중	

DIMENSIONS



SPECIFICATIONS

▶ 20W

Model	output (W)	Voltage (V)	RATED			Start T. (N·m/kgf·cm)	WEIGHT (kg)
			Speed (rpm)	Torque (N·m/kgf·cm)	Current (A)		
DD60-F012020B	20	12	3000	0.06/0.6	3.1	0.33/3.3	0.8
DD60-F024020B		24			1.6	0.42/4.2	
DD60-F090020B		90			0.4	0.42/4.2	

※ SHAFT 형상 (D: 동근축 D-CUT, G: 기어축)



DOWNLOAD		
DIMENSION	CAD	3D
CATALOGUE	PDF	

MODEL	적용제품	특성
K6B (□60mm)	표준형 모터 □60mm GEARHEAD : K6G□C(B)	중량 45g 재질 AL

DIMENSIONS

