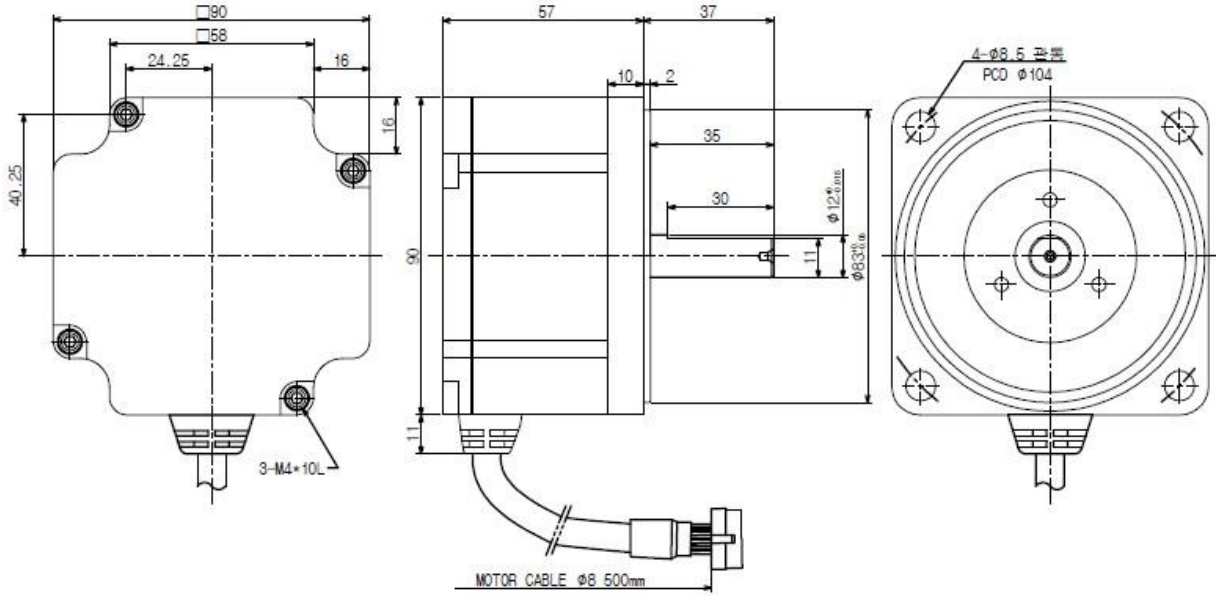




OUTPUT	MODEL	TYPE
120W BLDC24V 3000RPM (□ 90mm)	TM90N-D0131	TM90N 시리즈 (동근축 BLDC 모터)

DIMENSIONS



SPECIFICATIONS

▶ 120W

Model	output	Voltage (V)	RATED			Start T. (N·m/kgf·cm)	Pole (P)	WEIGHT (kg)
			Speed (rpm)	Torque (N·m/kgf·cm)	Current (A)			
TM90N-D0131	120	24	3000	0.37/3.74	5.88	0.467/4.67	10	1.26

* SHAFT 형상 (공란: 동근축 D-CUT, -G: 기어축)



DOWNLOAD		
DIMENSION	CAD	3D
CATALOGUE	PDF	

MODEL	적용제품	특성
K9B-M6 (□90mm)	표준형 모터 □90mm GEARHEAD : K9G□C, K9P□B	중량 270g 재질 AL

DIMENSIONS

