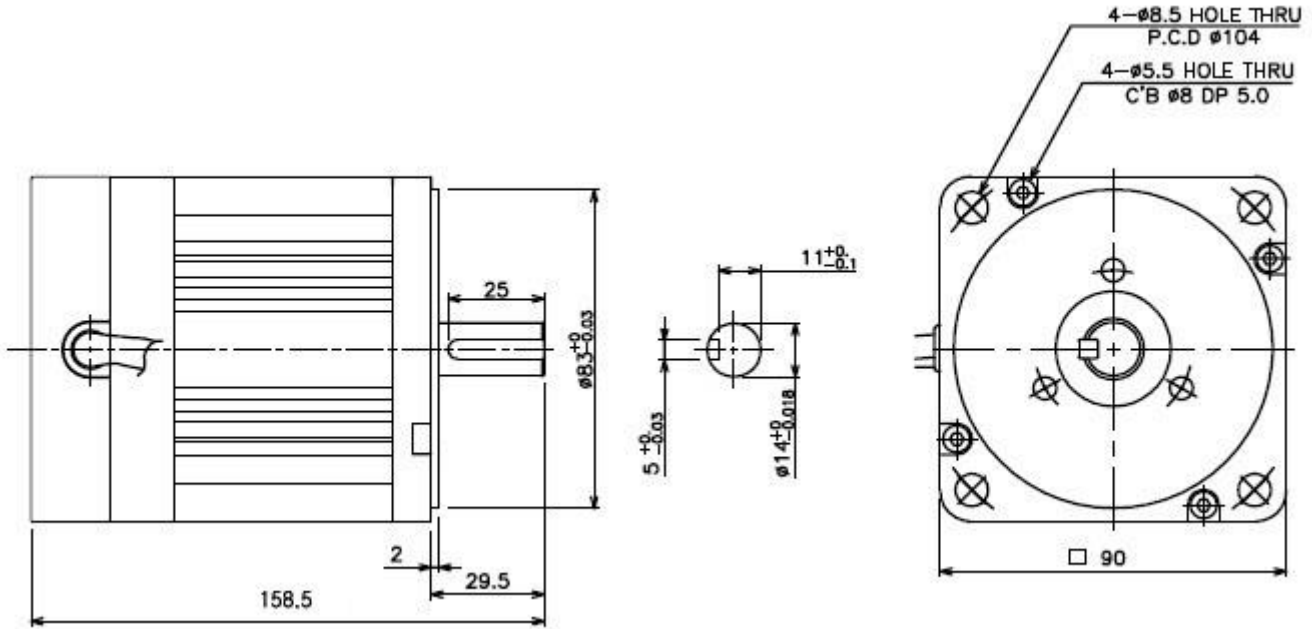




OUTPUT	MODEL	TYPE
400W BLDC12V 3000RPM (□ 90mm)	TM90-D0435-S-4P TM90-D0435-S-8P	TM90-D 씨리즈 (동근축 BLDC 모터)

DIMENSIONS



SPECIFICATIONS

▶ 400W

Model	output	Voltage (V)	RATED			Start T. (N·m/kgf·cm)	Pole (P)	WEIGHT (kg)
			Speed (rpm)	Torque (N·m/kgf·cm)	Current (A)			
TM90-D0435-S-4P	400	12	3000	1.3/12.9	40.6	1.75/17.4	4	3
TM90-D0435-S-8P	400	12	3000	1.3/12.9	40.6	1.75/17.4	8	3

※ SHAFT 형상 (-S: 동근축 14Ø 5mm KEY, -G: 기어축)



DOWNLOAD		
DIMENSION	CAD	3D
CATALOGUE	PDF	

MODEL	적용제품	특성
K9B-M6 (□90mm)	표준형 모터 □90mm GEARHEAD : K9G□C, K9P□B	중량 270g 재질 AL

DIMENSIONS

