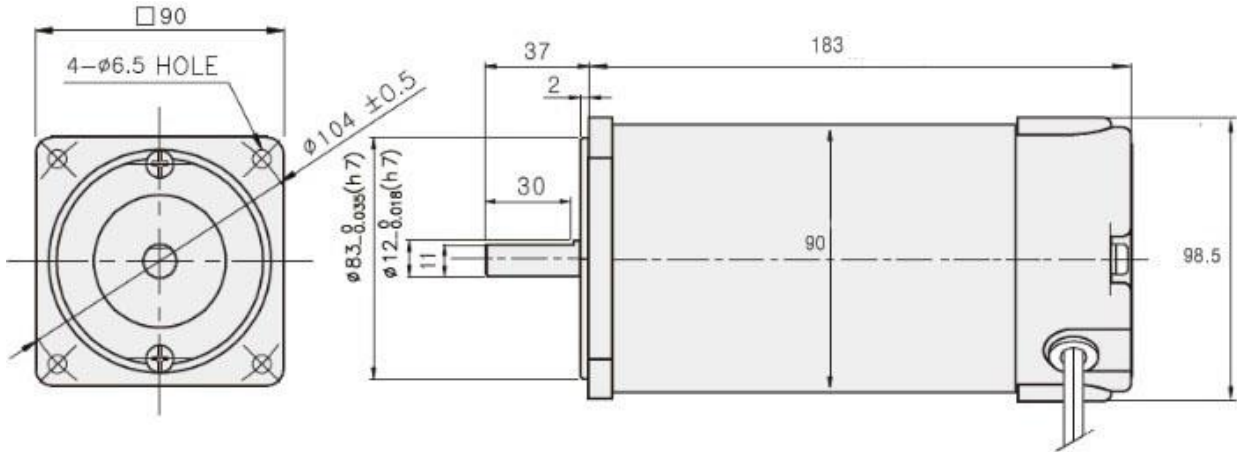


OUTPUT	MODEL	TYPE
350W DC180V 3000RPM (□ 90mm)	SY9S180350B	SY9S 시리즈 (동근축 DC 모터)

### DIMENSIONS



### SPECIFICATIONS

#### ▶ 350W

Model	output (W)	Voltage (V)	RATED			Start T. (N·m/kgf·cm)	WEIGHT (kg)
			Speed (rpm)	Torque (N·m/kgf·cm)	Current (A)		
<b>SY9S180350B</b>	350	180	3000	0.116/11.6	3	8.7/87	3.7

\* SHAFT 형상 ( D: 동근축 D-CUT, GC: 강력형 기어축)



DOWNLOAD		
DIMENSION	CAD	3D
CATALOGUE	PDF	

MODEL	적용제품	특성
K9B-M6 (□90mm)	표준형 모터 □90mm GEARHEAD : K9G□C, K9P□B	중량 270g 재질 AL

### DIMENSIONS

