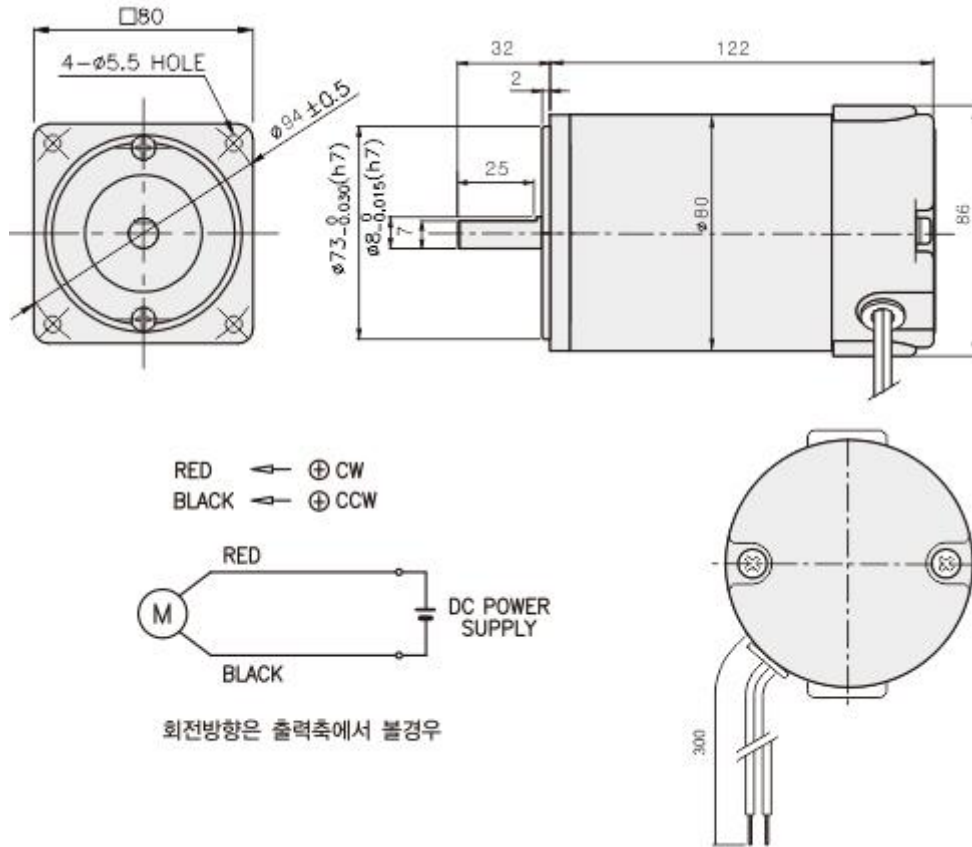




OUTPUT	MODEL	TYPE
25W DC12V,24V 3000RPM ( $\square$ 80mm)	K8DS25N1 K8DS25N2 K8DS25N3	K8DS 씨리즈 (동근축 DC 모터)

### DIMENSIONS



### SPECIFICATIONS

#### ▶ 25W

Model	output (W)	Voltage (V)	RATED			Start T. (N·m/kgf·cm)	WEIGHT (kg)
			Speed (rpm)	Torque (N·m/kgf·cm)	Current (A)		
K8DS25N1	25	12	3000	0.08/0.8	5	1.2/12	1.7
K8DS25N2		24			2.3	1.3/13	1.7
K8DS25N3		90			0.6	0.8/8	1.7

※ SHAFT 형상 ( S: 동근축 D-CUT, G: 기어축)



DOWNLOAD

<b>DIMENSION</b>	CAD	3D
<b>CATALOGUE</b>	PDF	

MODEL	적용제품	특성
K8B (□80mm)	표준형 모터 □80mm GEARHEAD : K8G□C (B)	중량 120g 재질 AL

DIMENSIONS

