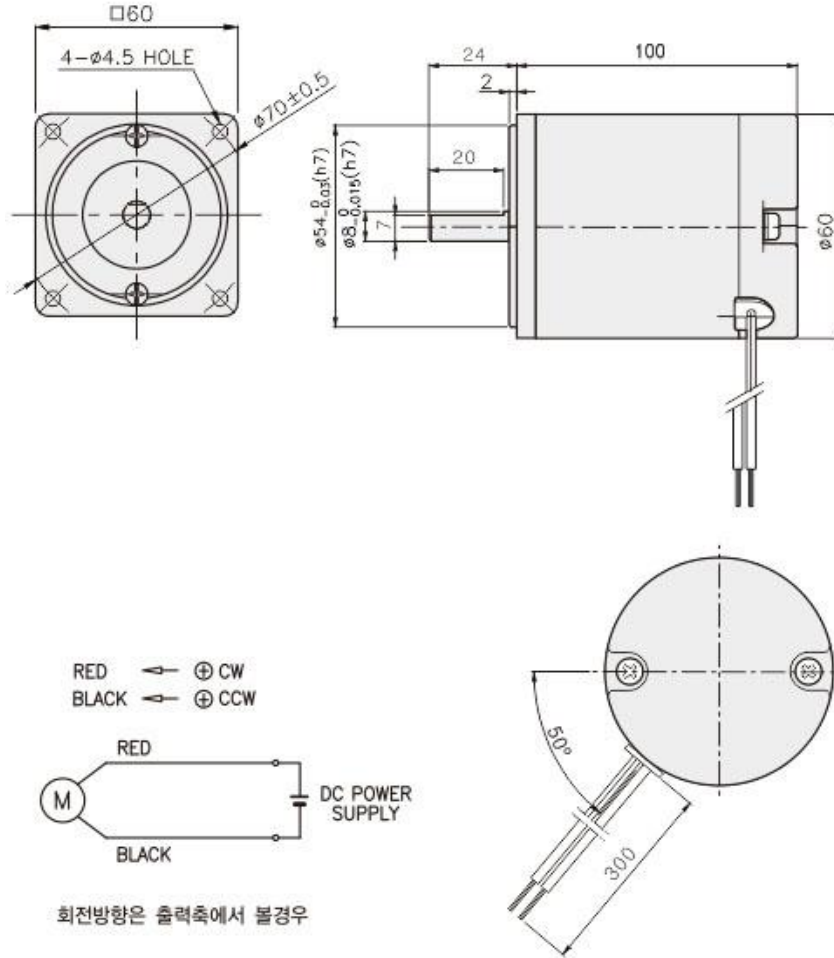




OUTPUT	MODEL	TYPE
25W DC12V,24V 3000RPM (□ 60mm)	K6DS25N1 K6DS25N2	K6DS 씨리즈 (동근축 DC 모터)

### DIMENSIONS

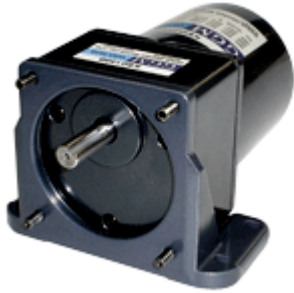


### SPECIFICATIONS

#### ▶ 15W

Model	output (W)	Voltage (V)	RATED			Start T. (N-m/kgf-cm)	WEIGHT (kg)
			Speed (rpm)	Torque (N-m/kgf-cm)	Current (A)		
K6DS25N1	25	12	3000	0.08/0.8	2.8	1.0/10	0.87
K6DS25N2		24			1.2	1.1/11	0.87
K6DS25N3		90			0.3	0.7/7	0.87

\* SHAFT 형상 ( S: 동근축 D-CUT, G: 기어축)



DOWNLOAD

DIMENSION	CAD	3D
	CATALOGUE	PDF

MODEL	적용제품	특성
K6B (□60mm)	표준형 모터 □60mm GEARHEAD : K6G□C(B)	중량 45g 재질 AL

DIMENSIONS

