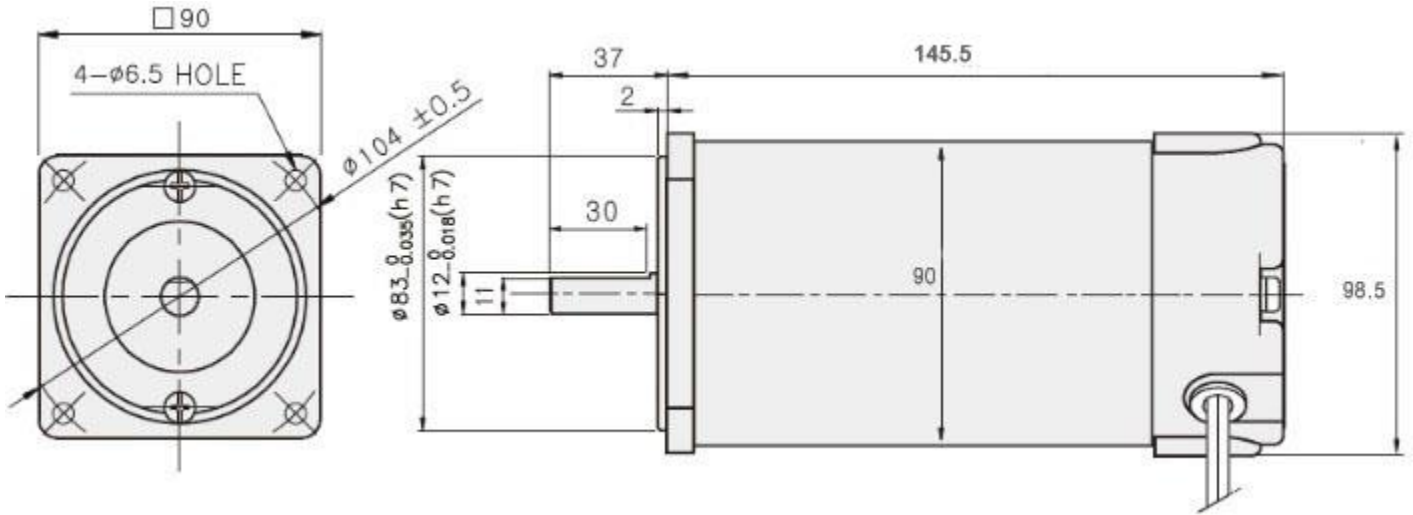




OUTPUT	MODEL	TYPE
150W DC24V 3000RPM (□ 90mm,L=145mm)	DD95-F024150B	DD95 씨리즈 (동근축 DC 모터)

DIMENSIONS



SPECIFICATIONS

▶ 150W

Model	output (W)	Voltage (V)	RATED			NO LOAD Speed (rpm)	WEIGHT (kg)
			Speed (rpm)	Torque (N·m/kgf·cm)	Current (A)		
DD95-F024150B	150	24	3000	0.39/3.9	9	3500	3

※ SHAFT 형상 (D: 동근축 D-CUT, G:강력형 기어축)



DOWNLOAD		
DIMENSION	CAD	3D
CATALOGUE	PDF	

MODEL	적용제품	특성
K9B-M6 (□90mm)	표준형 모터 □90mm GEARHEAD : K9G□C, K9P□B	중량 270g 재질 AL

DIMENSIONS

