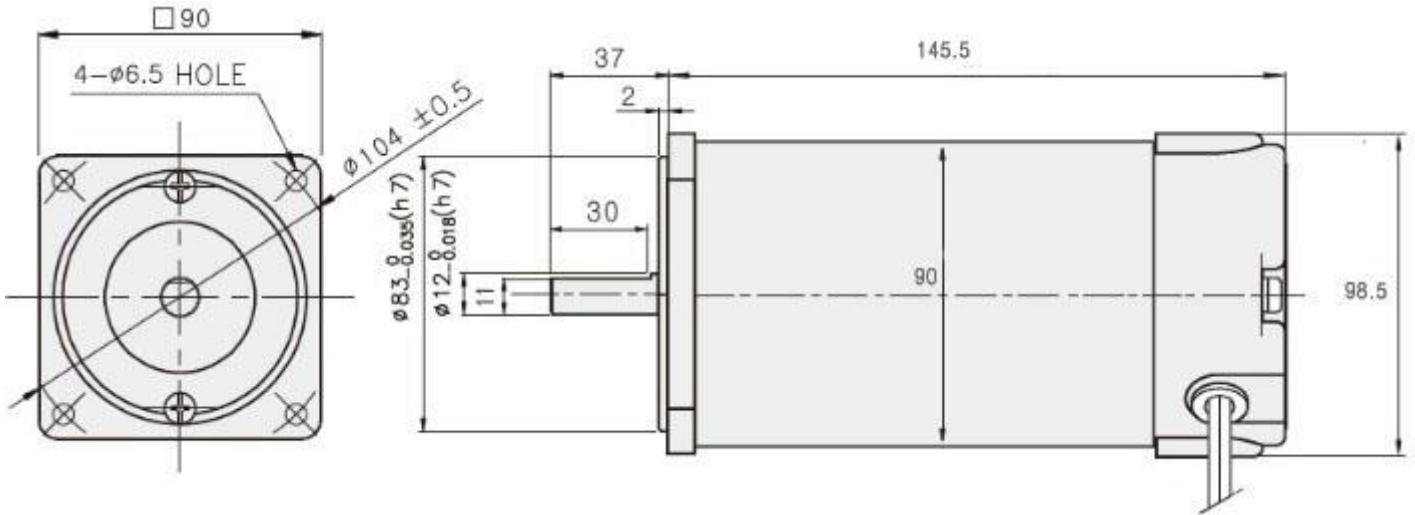




OUTPUT	MODEL	TYPE
120W DC24V 900RPM (□ 90mm)	DD95-F024120C	DD95 씨리즈 (동근축 DC 모터)

### DIMENSIONS



### SPECIFICATIONS

#### ▶ 120W

Model	output (W)	Voltage (V)	RATED			Start T. (N·m/kgf·cm)	WEIGHT (kg)
			Speed (rpm)	Torque (N·m/kgf·cm)	Current (A)		
DD95-F024120C	120	24	900	0.9/9	7	3/30	3

※ SHAFT 형상 ( D: 동근축 D-CUT, G:강력형 기어축)



DOWNLOAD		
<b>DIMENSION</b>	CAD	3D
<b>CATALOGUE</b>	PDF	

MODEL	적용제품	특성
K9B-M6 (□90mm)	표준형 모터 □90mm GEARHEAD : K9G□C, K9P□B	중량 270g 재질 AL

### DIMENSIONS

