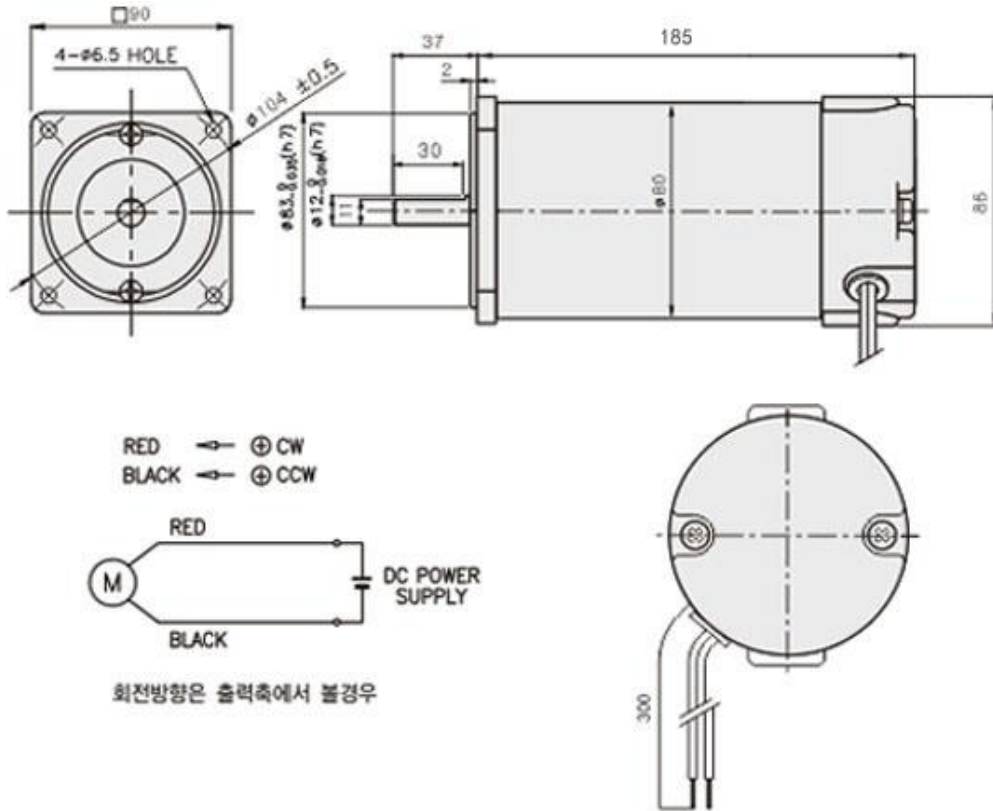




| OUTPUT | MODEL | TYPE |
|---------------------------------|---------------|-------------------------|
| 300W DC180V 3000RPM (□ 90mm) | DD90-F180300B | DD90 시리즈 (동근축 DC 모터) |

DIMENSIONS



SPECIFICATIONS

▶ 300W

| Model | output (W) | Voltage (V) | RATED | | | Start T. (N·m/kgf·cm) | WEIGHT (kg) |
|----------------------|------------|-------------|-------------|---------------------|-------------|-----------------------|-------------|
| | | | Speed (rpm) | Torque (N·m/kgf·cm) | Current (A) | | |
| DD90-F180300B | 300 | 180 | 3000 | 0.138/9.8 | 2 | 7.2/72 | 3.4 |

※ SHAFT 형상 (D: 동근축 D-CUT, G: 기어축)



| DOWNLOAD | | |
|-----------|-----|----|
| DIMENSION | CAD | 3D |
| CATALOGUE | PDF | |

| MODEL | 적용제품 | 특성 |
|-------------------|--|------------------|
| K9B-M6 (□90mm) | 표준형 모터 □90mm GEARHEAD : K9G□C, K9P□B | 중량 270g 재질 AL |

DIMENSIONS

