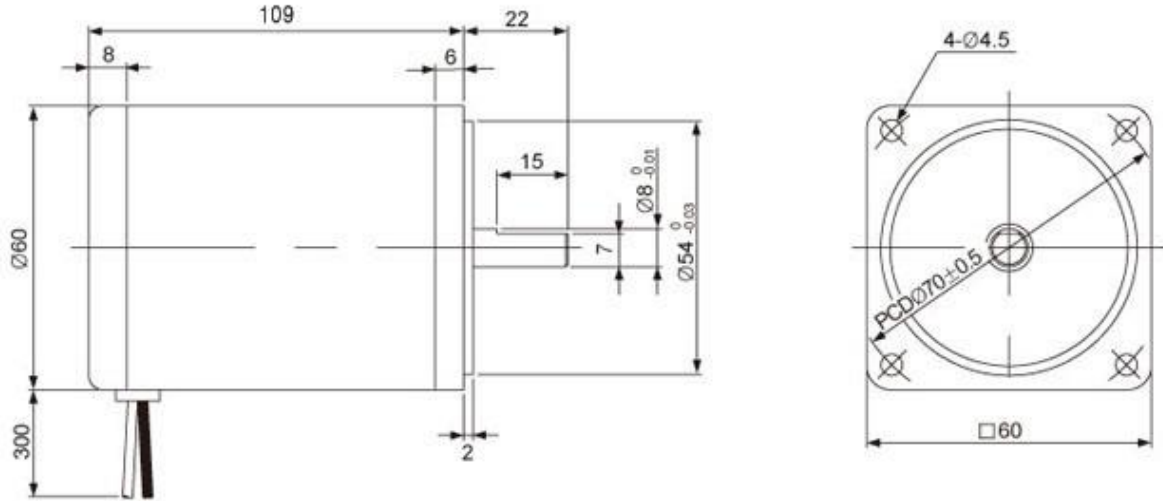




OUTPUT	MODEL	TYPE
50W DC24V 3000RPM (□ 60mm)	DD60-F024050B	DD60 씨리즈 (동근축 DC 모터)

DIMENSIONS



SPECIFICATIONS

▶ 50W

Model	output (W)	Voltage (V)	RATED			Start T. (N·m/kgf·cm)	WEIGHT (kg)
			Speed (rpm)	Torque (N·m/kgf·cm)	Current (A)		
DD60-F024050B	50	24	3000	0.16/1.6	3	0.13/13	1.2

* SHAFT 형상 (D: 동근축 D-CUT, G: 기어축)



DOWNLOAD

DIMENSION	CAD	3D
	PDF	

MODEL	적용제품	특성
K6B (□60mm)	표준형 모터 □60mm GEARHEAD : K6G□C(B)	중량 45g 재질 AL

DIMENSIONS

