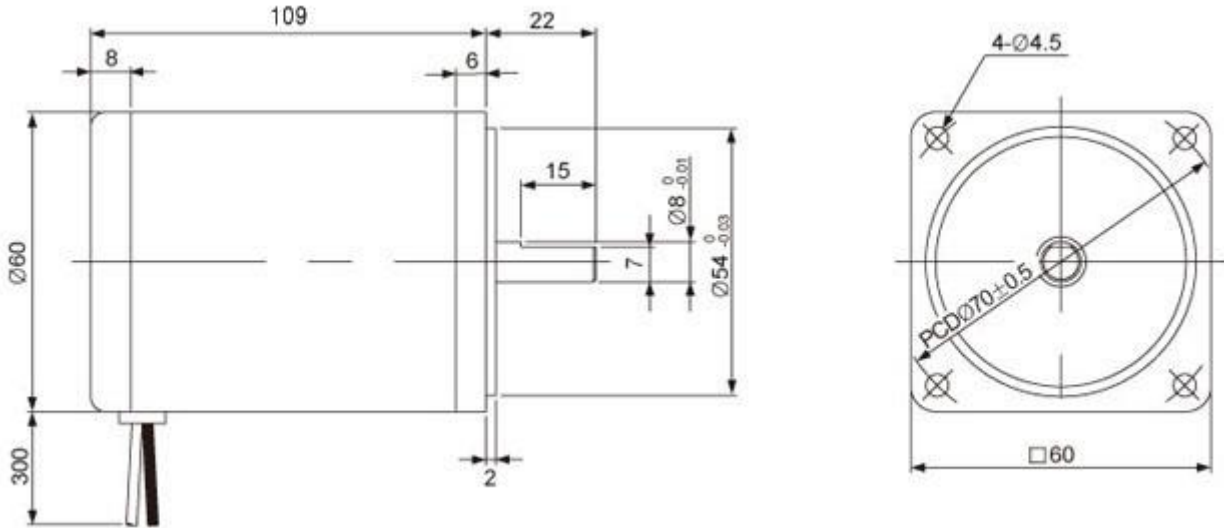




OUTPUT	MODEL	TYPE
30W DC12V 3000RPM (□ 60mm)	DD60-F012030B	DD60 씨리즈 (동근축 DC 모터)

### DIMENSIONS



### SPECIFICATIONS

#### ▶ 50W

Model	output (W)	Voltage (V)	RATED			Start T. (N·m/kgf·cm)	WEIGHT (kg)
			Speed (rpm)	Torque (N·m/kgf·cm)	Current (A)		
DD60-F012030B	30	12	3000	0.1/1	3.5	0.11/11	1.2

\* SHAFT 형상 (D: 동근축 D-CUT, G: 기어축)



DOWNLOAD

DIMENSION	CAD	3D
	PDF	

MODEL	적용제품	특성
K6B (□60mm)	표준형 모터 □60mm GEARHEAD : K6G□C(B)	중량 45g 재질 AL

DIMENSIONS

