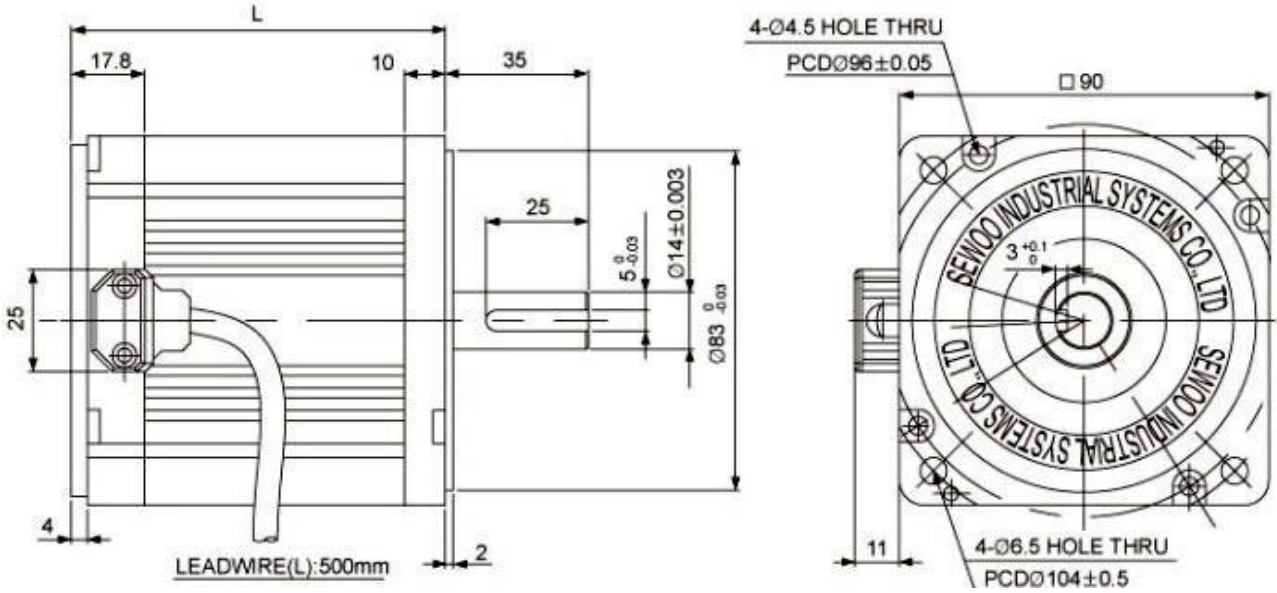




OUTPUT	MODEL	TYPE
300W BLDC24V 3000RPM (□ 90mm)	BK90-S024300	BK90 시리즈 (동근축 BLDC 모터)

### DIMENSIONS



### SPECIFICATIONS

▶ □ 90

MODEL		BK90-								
		S012100	S012120	S012150	S024200	S024250	S024300	S220300	S220400	S220500
Rated Voltage	V	12			24			220		
Rated Output	W	100	120	150	200	250	300	300	400	500
Rated Current	A	13.5	15.8	19.5	11.9	14.8	17.8	1.48	1.85	2
Rated Speed	r/min	3000								
Rated Torque	kgf-cm	3.2	3.9	4.8	6.3	7.9	9.5	9.5	13	16.2
Weight	kg	2.2	2.5	2.8	2.2	2.5	2.8	2.2	2.2	2.5
Pole	P	12	12	12	12	12	12	12	12	12
Length	L (mm)	91.3	101.3	111.3	91.3	101.3	111.3	81.3	81.3	91.3

※ SHAFT 형상 ( K: 동근축 D-CUT, G: 기어축)



DOWNLOAD		
DIMENSION	CAD	3D
CATALOGUE	PDF	

MODEL	적용제품	특성
K9B-M6 (□90mm)	표준형 모터 □90mm GEARHEAD : K9G□C, K9P□B	중량 270g 재질 AL

### DIMENSIONS

