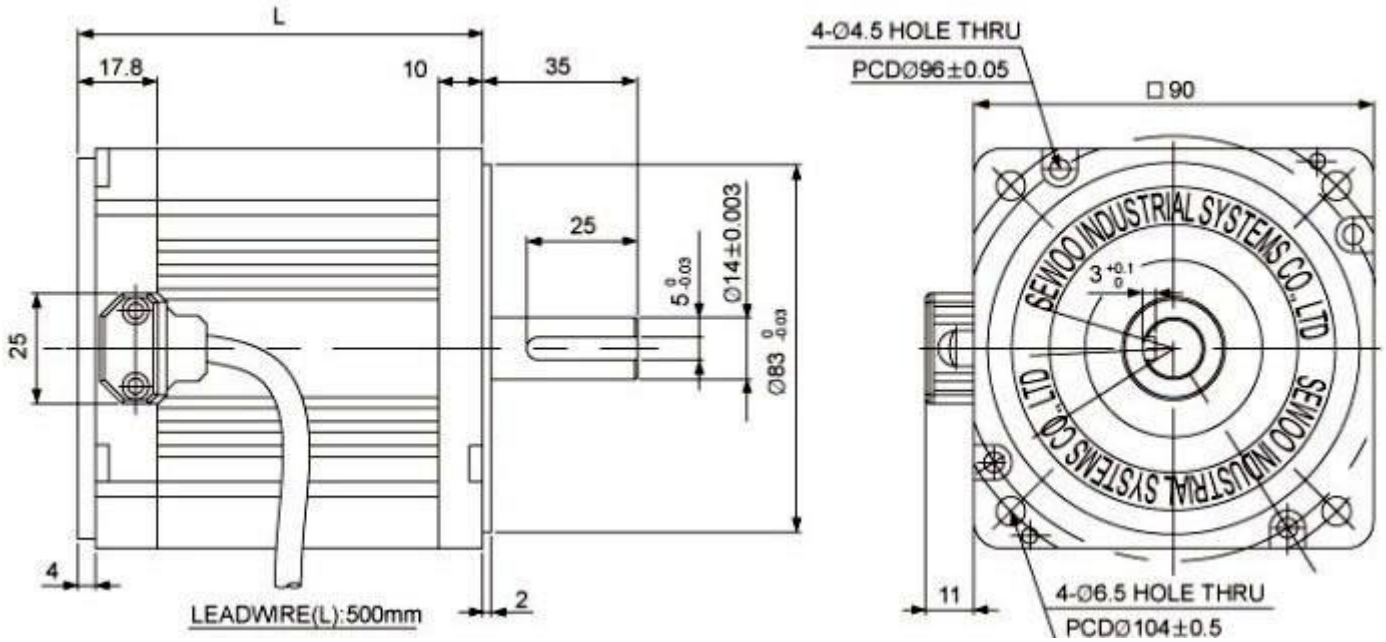




| OUTPUT | MODEL | TYPE |
|-----------------------------------|--------------|---------------------------|
| 400W BLDC220V 3000RPM (□ 90mm) | BK90-S220400 | BK90 시리즈 (동근축 BLDC 모터) |

DIMENSIONS



SPECIFICATIONS

▶ □ 90

| MODEL | | BK90- | | | | | | | | | |
|---------------|--------|---------|---------|---------|---------|---------|---------|---------|---------|---------|---------|
| | | S012100 | S012120 | S012150 | S024200 | S024250 | S024300 | S220300 | S220400 | S220500 | S220600 |
| Rated Voltage | V | 12 | | | 24 | | | 220 | | | |
| Rated Output | W | 100 | 120 | 150 | 200 | 250 | 300 | 300 | 400 | 500 | 600 |
| Rated Current | A | 13.5 | 15.8 | 19.5 | 11.9 | 14.8 | 17.8 | 1.48 | 1.85 | 2 | 2.5 |
| Rated Speed | r/min | 3000 | | | | | | | | | |
| Rated Torque | kgf-cm | 3.2 | 3.9 | 4.8 | 6.3 | 7.9 | 9.5 | 9.5 | 13 | 16.2 | 19.5 |
| Weight | kg | 2.2 | 2.5 | 2.8 | 2.2 | 2.5 | 2.8 | 2.2 | 2.2 | 2.5 | 2.8 |
| Pole | P | 12 | 12 | 12 | 12 | 12 | 12 | 12 | 12 | 12 | 12 |
| Length | L (mm) | 91.3 | 101.3 | 111.3 | 91.3 | 101.3 | 111.3 | 81.3 | 81.3 | 91.3 | 101.3 |

* SHAFT 형상 (K: 동근축 14Ø 5mm KEY, G: 기어축)



| DOWNLOAD | | |
|-----------|-----|----|
| DIMENSION | CAD | 3D |
| CATALOGUE | PDF | |

| MODEL | 적용제품 | 특성 |
|-------------------|--|------------------|
| K9B-M6 (□90mm) | 표준형 모터 □90mm GEARHEAD : K9G□C, K9P□B | 중량 270g 재질 AL |

DIMENSIONS

