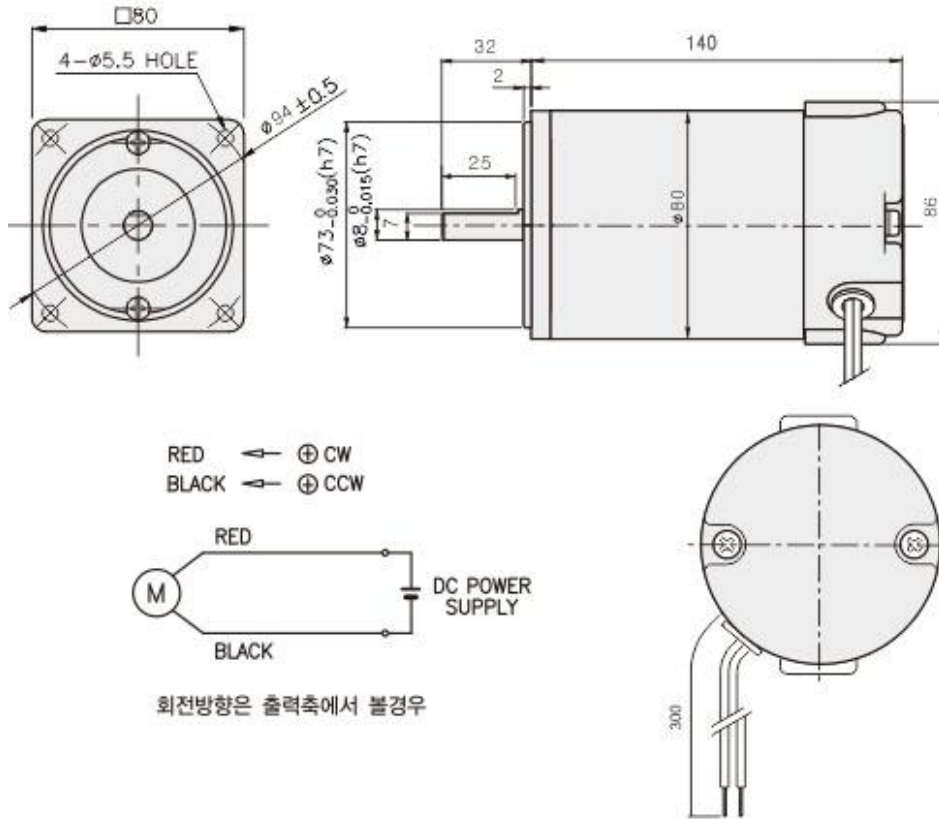




OUTPUT	MODEL	TYPE
60W DC12V,24V 3000RPM (□ 80mm)	DD80-F012060B DD80-F024060B	DD80 시리즈 (동근축 DC 모터)

DIMENSIONS



SPECIFICATIONS

▶ 60W

Model	output (W)	Voltage (V)	RATED			Start T. (N·m/kgf·cm)	WEIGHT (kg)
			Speed (rpm)	Torque (N·m/kgf·cm)	Current (A)		
DD80-F012060B	60	12	3000	0.19/1.9	7.0	1.6/16.1	1.9
DD80-F024060B		24			3.5		
DD80-F090060B		90			0.9		

※ SHAFT 형상 (S: 동근축 D-CUT, G: 기어축)



DOWNLOAD		
DIMENSION	CAD	3D
CATALOGUE	PDF	

MODEL	적용제품	특성
K8B (□80mm)	표준형 모터 □80mm GEARHEAD : K8G□C (B)	중량 120g 재질 AL

DIMENSIONS

