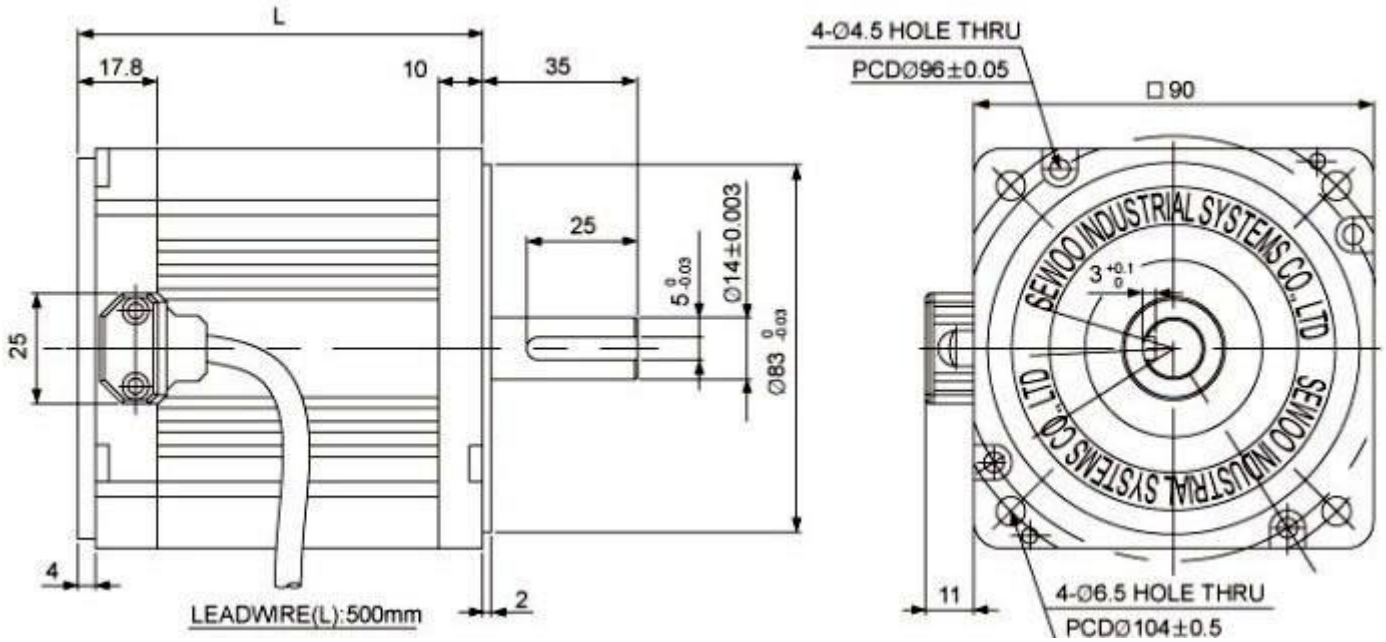




OUTPUT	MODEL	TYPE
300W BLDC220V 3000RPM (□ 90mm)	BK90-S220300	BK90 시리즈 (동근축 BLDC 모터)

### DIMENSIONS



### SPECIFICATIONS

▶ □ 90

MODEL		BK90-										
		S012100	S012120	S012150	S024200	S024250	S024300	S220300	S220400	S220500	S220600	
Rated Voltage	V	12				24			220			
Rated Output	W	100	120	150	200	250	300	<b>300</b>	400	500	600	
Rated Current	A	13.5	15.8	19.5	11.9	14.8	17.8	<b>1.48</b>	1.85	2	2.5	
Rated Speed	r/min	3000										
Rated Torque	kgf-cm	3.2	3.9	4.8	6.3	7.9	9.5	<b>9.5</b>	13	16.2	19.5	
Weight	kg	2.2	2.5	2.8	2.2	2.5	2.8	<b>2.2</b>	2.2	2.5	2.8	
Pole	P	12	12	12	12	12	12	<b>12</b>	12	12	12	
Length	L (mm)	91.3	101.3	111.3	91.3	101.3	111.3	<b>81.3</b>	81.3	91.3	101.3	

※ SHAFT 형상 ( K: 동근축 14Ø 5mm KEY, G: 기어축)



DOWNLOAD		
<b>DIMENSION</b>	CAD	3D
<b>CATALOGUE</b>	PDF	

MODEL	적용제품	특성
K9B-M6 (□90mm)	표준형 모터 □90mm GEARHEAD : K9G□C, K9P□B	중량 270g 재질 AL

### DIMENSIONS

